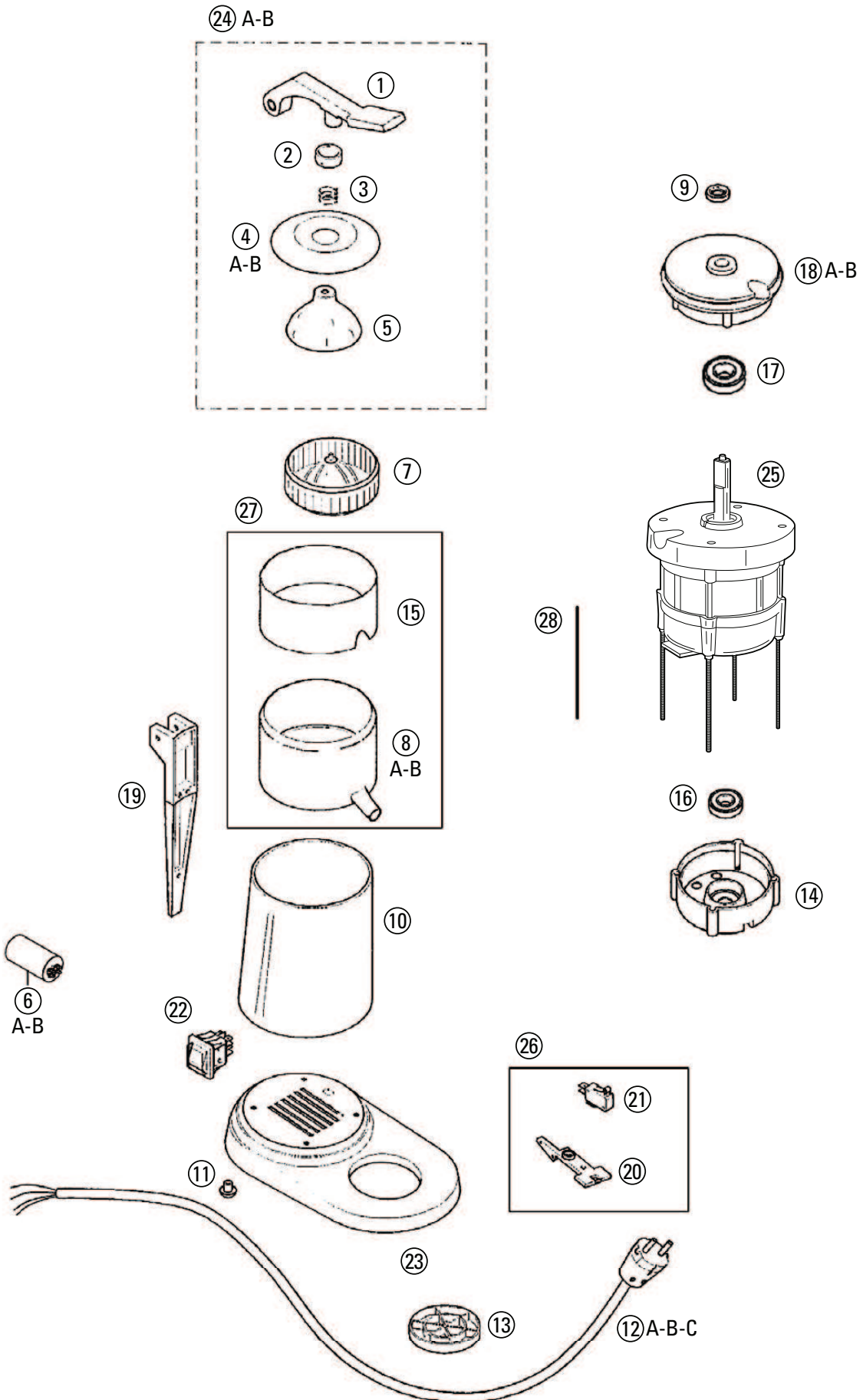


T94



T94

Drawing Ref	Code	Description
1	170074	LEVER
2	130109	SPRING COVER
3	230035	COVER -SUPPORT SPRING
4A	180063	OLD MODEL LID
4B	180111	NEW MODEL LID
5	180145	CITRUS CONE
6A	150068	CAPACITOR 6,3 MF
6B	150070	CAPACITOR 8 MF
7	180062	SIFTER
8A	RSPR94001	BEAKER + SPOUT OLD MODEL
8B	180011	BEAKER + SPOUT NEW MODEL
9	160112	SPACER
10	180056	JACKET
11	160098	RUBBER FOOTING
12A	150073	230V CABLE EU PLUG
12B	150077	230V CABLE UK PLUG
12C	150078	230V CABLE AUSTRALIAN PLUG
13	160106	CUP HOLDER
14	160002	LOWER MOTOR COVER
15	180060	UPPER BEAKER RING
16	260005	BEARING 6202
17	260006	BEARING 6203
18A	160113	TOP COVER NEW MODEL
18B	160115	TOP COVER OLD MODEL
19	170071	LEVER SUPPORT
20	160108	MICROSWITCH HOLDER
21	210029	MICRO SWITCH
22	210018	ON OFF SWITCH WITH CAP
23	170068	BASE
24A	RSPR94005	OLD MODEL LEVER SET
24B	RSPR94008	NEW MODEL LEVER SET
25	270008	230V MOTOR KIT
26	RSPR94003	MICRO SWITCH HOLDET KIT
27	RSPR94004	NEW MODEL BEAKER + SPOUT
28	RSPR94007	ON OFF MICROSWITCH ROD