

# BUTTERFLY



A/1



L/1



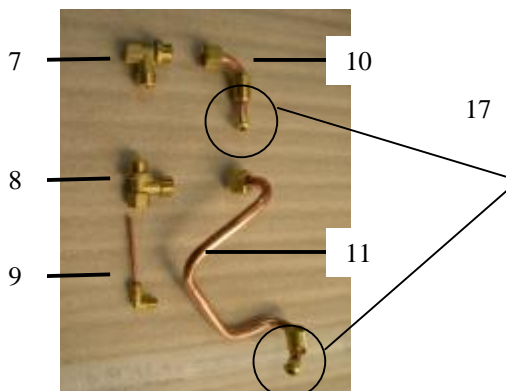
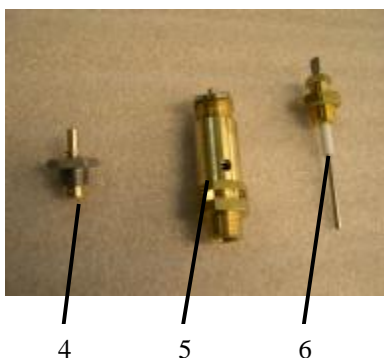
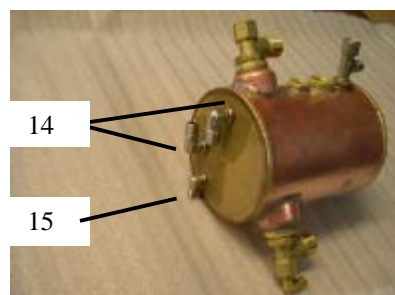
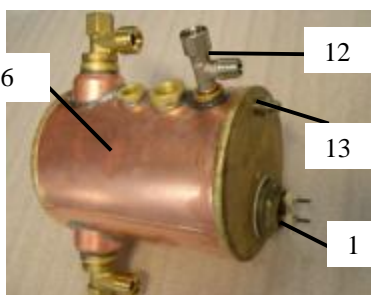
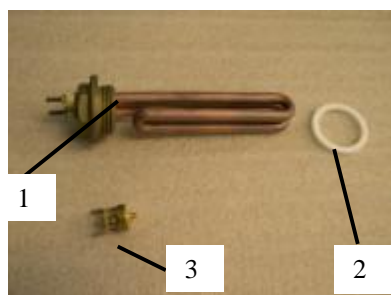
S/1

MOD. L/1 - A/1 - S/1

## ESPLOSO E LISTA RICAMBI

*EXPLODED VIEW &  
SPARE PART LIST*

Macchine per Caffè Espresso

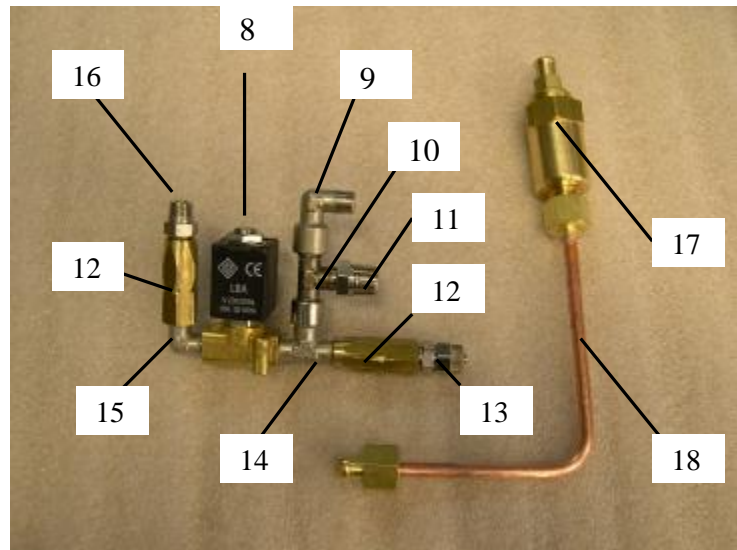
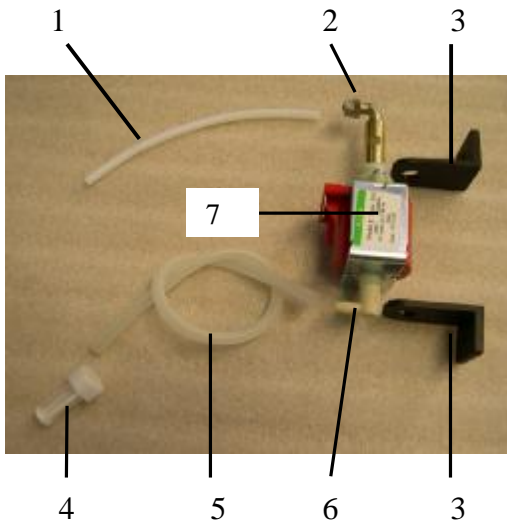


**CALDAIA E SCAMBIATORE DI CALORE IN RAME /  
COPPER BOILER AND HEAT EXCHANGER**

| Pos. | Codice / Code | Descrizione / Description | Price |
|------|---------------|---------------------------|-------|
|------|---------------|---------------------------|-------|

|    |            |   |  |
|----|------------|---|--|
| 1  | C-0520     | Resistenza / Heating element - 1300W 230V                           |  |
| 1  | C-0520/120 | Resistenza / Heating element - 1300W 120V                           |  |
| 2  | C-0456     | Guarnizione TF / PTFE Heating element seal                          |  |
| 3  | C-0458     | Termostato di Sicurezza – Heating element over-temperature switch   |  |
| 4  | C-0451     | Valvola di sfiato / Vacuum release valve                            |  |
| 5  | C-0452     | Valvola di sicurezza / Pressure Safety Valve CE - PED               |  |
| 6  | C-0205     | Sonda livello acqua caldaia – Boiler water level probe              |  |
| 7  | R6         | Raccordo s/foro scamb. / Upper heat-exchanger fitting w/o hole 1/2M |  |
| 8  | R5         | Raccordo iniettore / Injector fitting nut 1/4M-1/4M 90°             |  |
| 9  | T35        | Iniettore scambiatore / Heat exchanger injector                     |  |
| 10 | T31        | Tubo superiore gruppo-caldaia / Upper boiler-to-group copper pipe   |  |
| 11 | T30        | Tubo inferiore gruppo-caldaia / Lower boiler-to-group copper pipe   |  |
| 12 | R12        | Raccordo a T / “T”- shaped fitting 1/4 M-M-F for boiler             |  |
| 13 | R16        | Nipples / Boiler side fitting 1/8M-1/8M                             |  |
| 14 | R1         | Raccordo a gomito / Boiler side elbow fitting 1/4M-1/4M             |  |
| 15 | R24        | Raccordo a gomito / Boiler side elbow fitting 1/8M-1/8M             |  |
| 16 | C-0367     | Caldaia in rame senza raccordi / Copper boiler without fittings     |  |
| 17 | R22        | Strozzatura D. 2,5 / 2.5mm choke for heat exchanger                 |  |

Macchine per Caffè Espresso

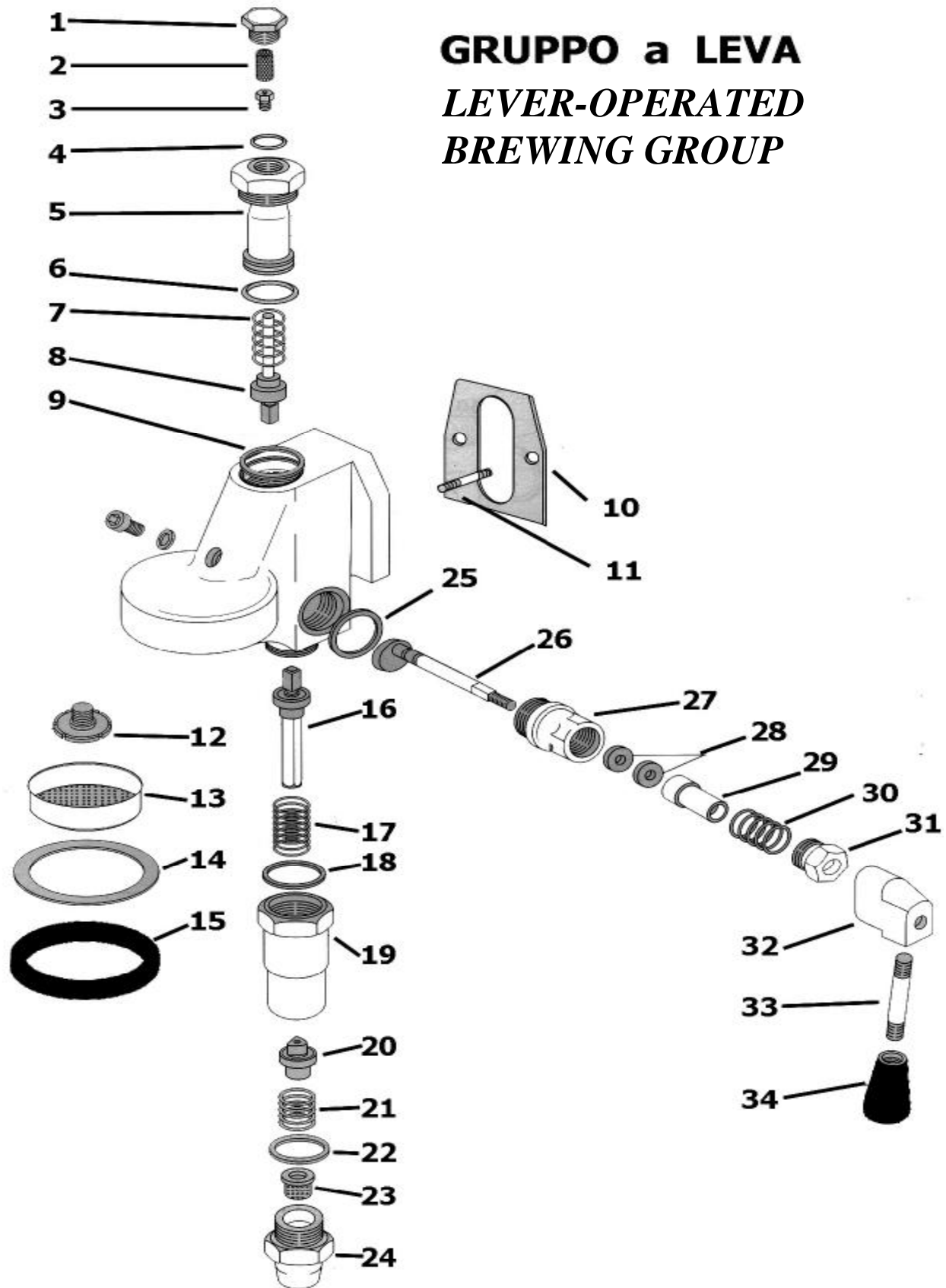


### POMPA E CIRCUITO RIFORNIMENTO / PUMP AND REFILL CIRCUIT

Pos. Cod. Descrizione / Description PRICE

| Pos. | Cod.   | Descrizione / Description  | PRICE |
|------|--------|--|-------|
| 1    | Part 1 | Tubo TF per pompa / PTFE pump delivery hose                            |       |
| 2    | R27    | Raccordo a L con p.g. e dado / "L"- shaped fitting with nut, 1/8       |       |
| 3    | C-0507 | Antivibr. per pompa vibraz. / Rubber absorber for vibration pump       |       |
| 4    | C-0071 | Filtrino per serbatoio / Suction hose filter                           |       |
| 5    | Part 5 | Tubo silicone aspirazione / Silicon suction hose                       |       |
| 6    | C-0506 | Pipetta per pompa vibrazione / Rubber elbow for vibration pump         |       |
| 7    | C-0512 | Pompa a vibrazione / Vibration pump EX5 220V-50/60Hz                   |       |
| 7    | C-0584 | Pompa a vibrazione / Vibration pump EX5 120V-60Hz                      |       |
| 8    | C-0302 | Elettrovalvola 2 vie / 2-way refill solenoid valve NC 1/8, 230V        |       |
| 8    | C-0300 | Elettrovalvola 2 vie / 2-way refill solenoid valve NC 1/8, 120V        |       |
| 9    | R15    | Raccordo a gomito / Elbow fitting 1/8M-1/8F                            |       |
| 10   | R29    | Raccordo a T / "T"- shaped fitting 1/8 M-M-M                           |       |
| 11   | R17    | Raccordo / Fitting 1/4M-1/8F   |       |
| 12   | C-0463 | Valvola non ritorno / Check (non-return) valve 1/8" FF                 |       |
| 13   | R26    | Nipples con p.g. e dado / Joint fitting with hose mount and nut, 1/8   |       |
| 14   | R28    | Raccordo a T / "T"- shaped fitting, 1/8 M-F-M                          |       |
| 15   | R24    | Raccordo gomito / Elbow fitting, 1/8M-1/8M                             |       |
| 16   | R16    | Nipples / Joint fitting 1/8M-1/8M                                      |       |
| 17   | C-0379 | Valvola espansione regolabile / Adjustable expansion valve 1/4" M      |       |
| 18   | T57    | Tubo mass. - valv. esp. / Connect. Pipe: refill set to expansion valve |       |

Macchine per Caffè Espresso

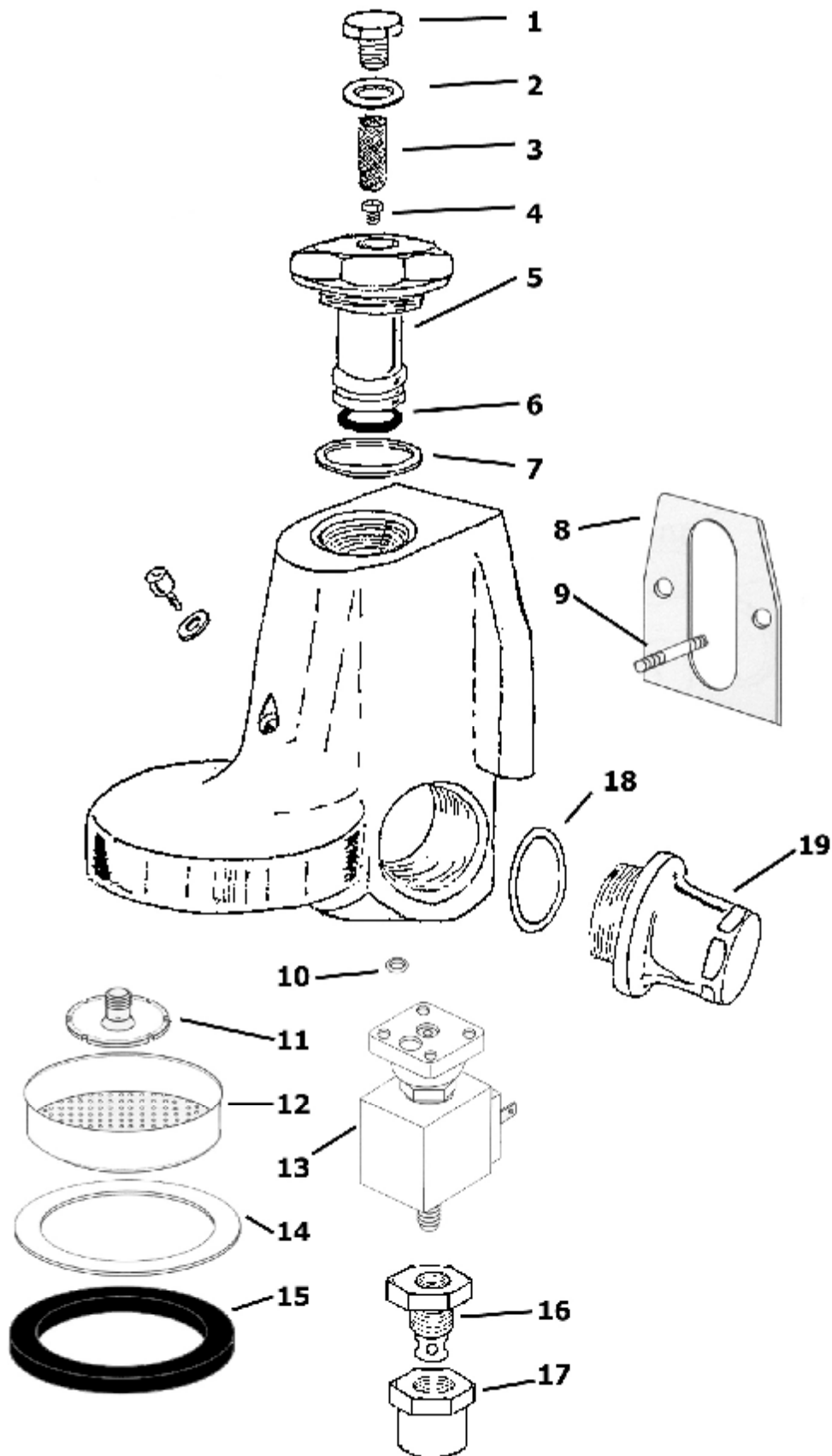


Macchine per Caffè Espresso

**COMPONENTI GRUPPO / BREWING GROUP COMPONENTS – MOD. L/1**

| Pos. | Codice /<br>Code | Descrizione / Description   | PRICE |
|------|------------------|---|-------|
| 1    | C-0317           | Dado copri gigneur / Injector covering nut                          |       |
| 2    | C-0315           | Filtro gigneur / Injector filter                                    |       |
| 3    | C-0314           | Gigneur / Injector  |       |
| 4    | C-0316           | Guarnizione TF x tappo gigneur / PTFE seal for injector cover. nut  |       |
| 5    | C-0323           | Canotto superiore gruppo / Brewing group upper bush                 |       |
| 6    | C-0324           | OR 128 Viton x canotto / Viton "O"- ring for upper bush             |       |
| 9    | C-0310           | Guarnizione TF x canotto / PTFE seal for upper bush                 |       |
| 10   | C-0301           | Guarnizione gruppo-telaio / Brewing-group-to-chassis seal           |       |
| 11   | C-0022M          | Prigioniero diam. 8mm / 8mm stud-bolt for brewing group fix         |       |
| 12   | C-0318           | Spruzzatore gruppo / Brewing-group head sprayer                     |       |
| 13   | C-0322           | Doccia a rete / Brewing-group head shower screen                    |       |
| 14   | C-0475           | Spessore / Brewing-group head paper spacer for rubber seal          |       |
| 15   | C-0321           | Guarnizione Sottocoppa / Brewing-group head rubber seal             |       |
| 16   | C-0044           | Assieme valvola erogazione / Delivery valve assembly                |       |
| 16   | C-0046           | Assieme valvola inferiore / Lower valve assembly                    |       |
| 17   | C-0043           | Molla valvola erogazione / Delivery valve spring                    |       |
| 19   | C-0037           | Canotto cromato inferiore / Chromium-plated lower bush              |       |
| 20   | C-0038           | Valvolina 2 pezzi / 2-pieces valve                                  |       |
| 21   | C-0039           | Molla scarico / Discharge spring                                    |       |
| 22   | C-0407           | Guarnizione TF / PTFE seal 26x21x2                                  |       |
| 23   | C-0040           | Bussola frangiacqua gr. / Brewing-group discharge breaker 15x6      |       |
| 24   | C-0041           | Raccordo inf. Gr. cr. / Brewing-group lower discharge bush26x26     |       |
| 26   | C-0042           | Albero a camme / Cam shaft  |       |
| 27   | C-0031           | Flangia portacamme gr. Cromato / Cr-plated cam shaft holding bush   |       |
| 28   | C-0032           | Rondella gomma / Rubber seal EP709 15,5x7,5x4 for cam shaft         |       |
| 29   | C-0033           | Bussola premi gommino / Seal stopper for cam shaft                  |       |
| 30   | C-0034           | Molla premi gommino / Seal stopper spring                           |       |
| 31   | C-0035           | Tappo premi gommino / Seal stopper covering nut                     |       |
| 32   | C-0052           | Camma cromata / Cr-plated cam                                       |       |
| 33   | C-0049           | Asta per camma cromata / Cr-plated cam rod                          |       |
| 34   | C-0546           | Pomello leva gruppo / Lever knob                                    |       |
| 35   | C-0030M          | Vite inox / St. Steel Screw 6x8                                     |       |
| 36   | C-0325           | Guarnizione TF / PTFE seal 10x6x1                                   |       |
|      | C-0214           | Gruppo a leva completo / Lever-operated brewing group, complete set |       |

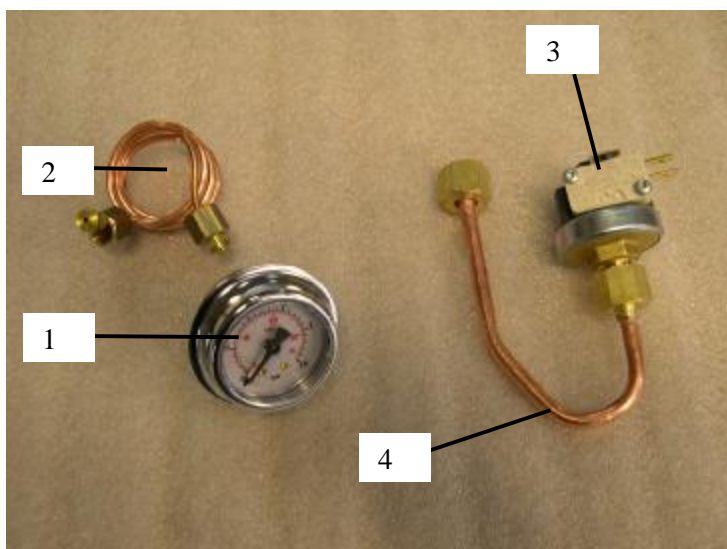
Macchine per Caffè Espresso



Macchine per Caffè Espresso

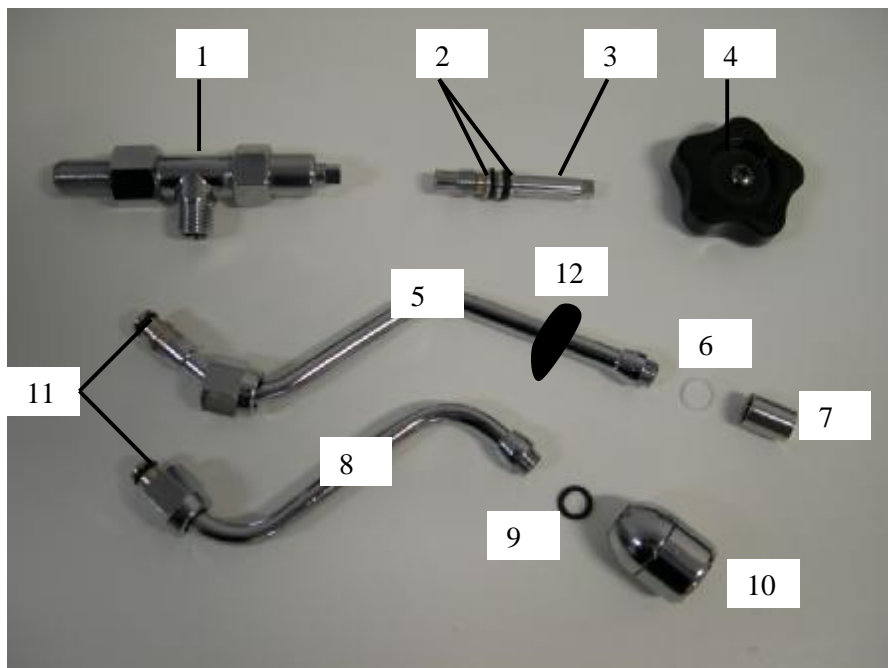
## COMPONENTI GRUPPO / BREWING GROUP COMPONENTS MOD. A/1 – S/1

| Pos.  | Cod.   | Descrizione / description                                      | PRICE |
|-------|--------|--|-------|
| 1     | C-0317 | Dado copri gigneur / Injector covering nut                     |       |
| 2     | C-0315 | Filtro gigneur / Injector filter                               |       |
| 3     | C-0314 | Gigneur / Injector   |       |
| 4     | C-0316 | Guarnizione TF x tappo gigneur / Gigneur covering nut seal     |       |
| 5     | C-0323 | Canotto superiore gruppo / Group-head upper bush               |       |
| 6     | C-0324 | OR 128 Viton x canotto / Group-head upper bush "O"- ring       |       |
| 9     | C-0310 | Guarnizione TF x canotto / Group-head upper bush PTFE seal     |       |
| 10    | C-0303 | OR Viton x elettrovalvola / Group-head solenoid-valve "O"-ring |       |
| 11    | C-0318 | Spruzzatore gruppo / Group-head sprayer                        |       |
| 12    | C-0322 | Doccia a rete / Group-head shower screen                       |       |
| 13    | C-0304 | Elettrovalvola 3vie 230V 50-60Hz / 3-ways solenoid valve       |       |
| 13    | C-0306 | Elettrovalvola 3vie 115V 50-60Hz / 3-ways solenoid valve       |       |
| 14    | C-0475 | Spessore per sottocoppa / Group-head seal paper spacer         |       |
| 15    | C-0321 | Guarnizione sottocoppa / Group-head rubber seal                |       |
| 16+17 | C-0334 | Frangiacqua completo / Water exhaust jet breaker               |       |
| 18    | C-0325 | Guarnizione TF 10x6x1 / PTFE seal for brewing group side port  |       |



## CONTROLLO PRESSIONE CALDAIA / BOILER PRESSURE CONTROLS

| Pos. | Cod.       | Descrizione / Description   | PRICE |
|------|------------|---|-------|
| 1    | C-0538     | Manometro con ghiera / Pressure gauge c/w fixture, 2.5 bar Ø 42 mm      |       |
| 2    | C-0545     | Capillare / Capillary pipe for pressure gauge, Ø 2.5mm, f-f, l = 660 mm |       |
| 3    | C-0522     | Pressostato regolabile / Adjustable pressure switch (220V mach.)        |       |
| 3A   | C-0522/120 | Pressostato regolabile / Adjustable pressure switch (120V mach. )       |       |
| 4    | T34        | Tubo caldaia-pressostato / Boiler to pressure-switch connection pipe    |       |

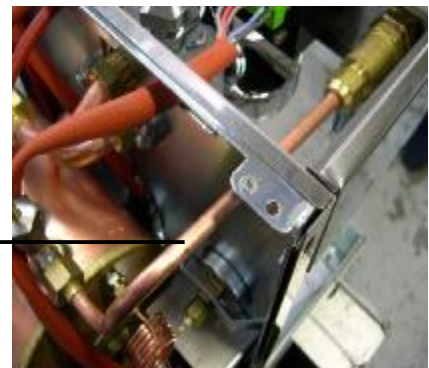
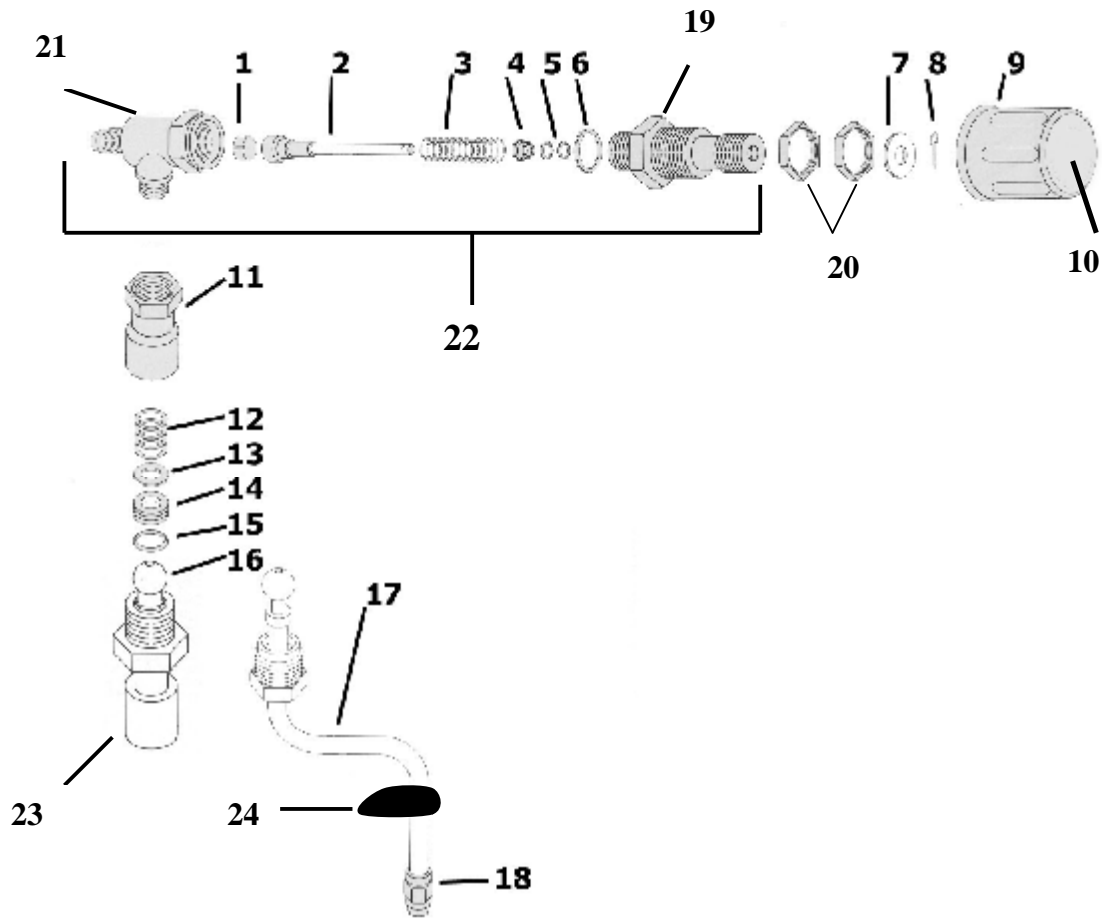


## EROGAZIONE VAPORE-ACQUA / STEAM AND HOT-WATER DELIVERY – MOD. L/1

Pos. Cod. Descrizione / Description PRICE

| Pos. | Cod.     | Descrizione / Description   | PRICE |
|------|----------|---|-------|
| 1    | C-0313/B | Rubinetto vapore - acqua c. completo / Steam - hot water valve, complete  |       |
| 2    | C-0468   | OR-6 per asta rubinetto / "O"- ring for valve rod - 7,2X1,9 EPDM          |       |
| 3    | C-0027/B | Asta rubinetto completa / Steam - hot water valve rod, c/w seals          |       |
| 4    | MANV05   | Manopola rubinetto / Steam - hot water valve knob                         |       |
| 5    | C-0312/C | Lancia vapore completa / Steam pipe, complete set                         |       |
| 6    | C-0276   | OR TF per testina vapore / Steam pipe tip PTFE seal                       |       |
| 7    | C-0335   | Spruzzatore vapore / Steam pipe tip                                       |       |
| 8    | C-0327/B | Lancia acqua completa / Hot water pipe, complete set                      |       |
| 9    | C-0468   | OR-6 per testina acqua calda / "O"- ring for h.w. pipe tip - 7,2X1,9 EPDM |       |
| 10   | C-0467   | Rompigetto acqua calda / Hot water pipe jet breaker (tip)                 |       |
| 11   | C-       | OR attacco tubo vapore - a.c. / Steam - hot water pipe inlet "O"-ring     |       |
| 12   | C-0288   | Pinza per lancia vapore / Plastic clamp for steam pipe handling           |       |
| 13   | T32      | Tubo caldaia-rub. acqua calda / Boiler-to-H.W. valve pipe                 |       |
| 14   | T33      | Tubo caldaia-rub. vapore / Boiler-to-steam valve pipe                     |       |

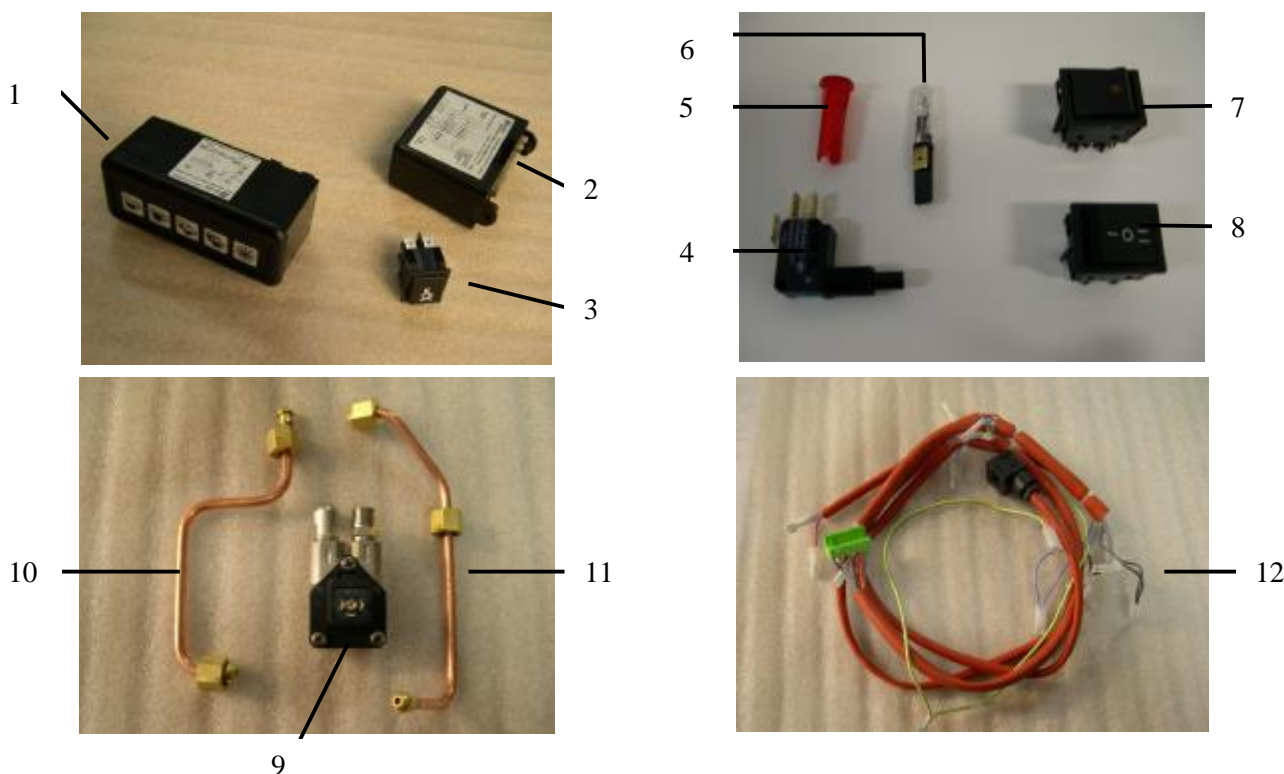




**RUBINETTO VAPORE-ACQUA / STEAM AND HOT-WATER VALVE**

| Pos. | Cod.   | Descrizione / Description   | Price |
|------|--------|---|-------|
| 1    | C-0180 | Guarnizione testa asta rubinetto vapore / Steam & h.w. valve rod head seal  |       |
| 2    | C-0185 | Asta rubinetto vapore-acqua calda / Steam and hot-water valve rod           |       |
| 3    | C-0181 | Molla asta rubinetto vapore-acqua c. / Steam and hot-water valve rod spring |       |
| 4    | C-0183 | Bussola premi gommino asta rub. Vap./ Steam & h.w. valve rod "O"- ring seat |       |
| 5    | C-0184 | Gommino asta rubinetto vapore – acqua c. / Steam & h.w. valve rod "O"- ring |       |
| 6    | C-0182 | Guarnizione rame rubinetto vapore – a.c. / Steam and h.w. valve copper sea  |       |
| 7    | C-0281 | Rondella per manopola vapore / Steam and hot-water valve knob washer        |       |
| 8    | C-0282 | Copiglia / Steam and hot-water valve knob split-pin                         |       |
| 9    | C-0280 | Manopola per rubinetto vapore e acqua c. / Steam and hot-water valve knob   |       |
| 10°  | C-0283 | Tappo manopola vapore / Steam knob cover                                    |       |
| 10B  | C-0295 | Tappo manopola acqua / Hot-water knob cover                                 |       |
| 11   | C-0025 | Prolunga rubinetto vapore / Steam – hot water valve outlet extension        |       |
| 12   | C-0273 | Molla per tubo vapore / Steam – hot water pipe swivel spring                |       |
| 13   | C-0270 | Guida per molla / Steam – hot water pipe swivel spring seat                 |       |
| 14   | C-0274 | Guarnii. TF ompl tubo vap. / Steam – h.w. pipe swivel PTFE seal spacer      |       |
| 15   | C-0289 | OR per ompl in TF / Steam – hot-water pipe swivel PTFE seal                 |       |
| 16   | C-0026 | Lancia acqua calda completa / Hot-water pipe, complete set                  |       |
| 17   | C-0278 | Tubo vapore completo / Steam pipe, complete set                             |       |
| 18   | C-0277 | Spruzzatore vapore / Steam pipe ompl (tip)                                  |       |
| 19   | C-0188 | Semi-corpo anteriore rubin. Vapore-a.c./Front steam – h.w. valve semi-body  |       |
| 20   | C-0186 | Dadi fissaggio rubin. Vap. – a.c. / Steam-h.w. valve hexagonal fixing nut   |       |
| 21   | C-0187 | Semi-corpo poster. Rubin. Vapore-a.c. / Rear steam – h.w. valve semi-body   |       |
| 22   | C-0271 | Rubinetto vapore-acqua omlplete / Steam & hot-water valve, complete set     |       |
| 23   | C-0467 | Rompigetto acqua calda / Hot water pipe jet breaker (tip)                   |       |
| 24   | C-0288 | Pinza per lancia vapore / Plastic clamp for steam pipe handling             |       |
| 25   | T59    | Tubo caldaia-rub. Acqua calda / Boiler-to-H.W. valve pipe                   |       |
| 26   | T58    | Tubo caldaia-rub. Vapore / Boiler-to-steam valve pipe                       |       |

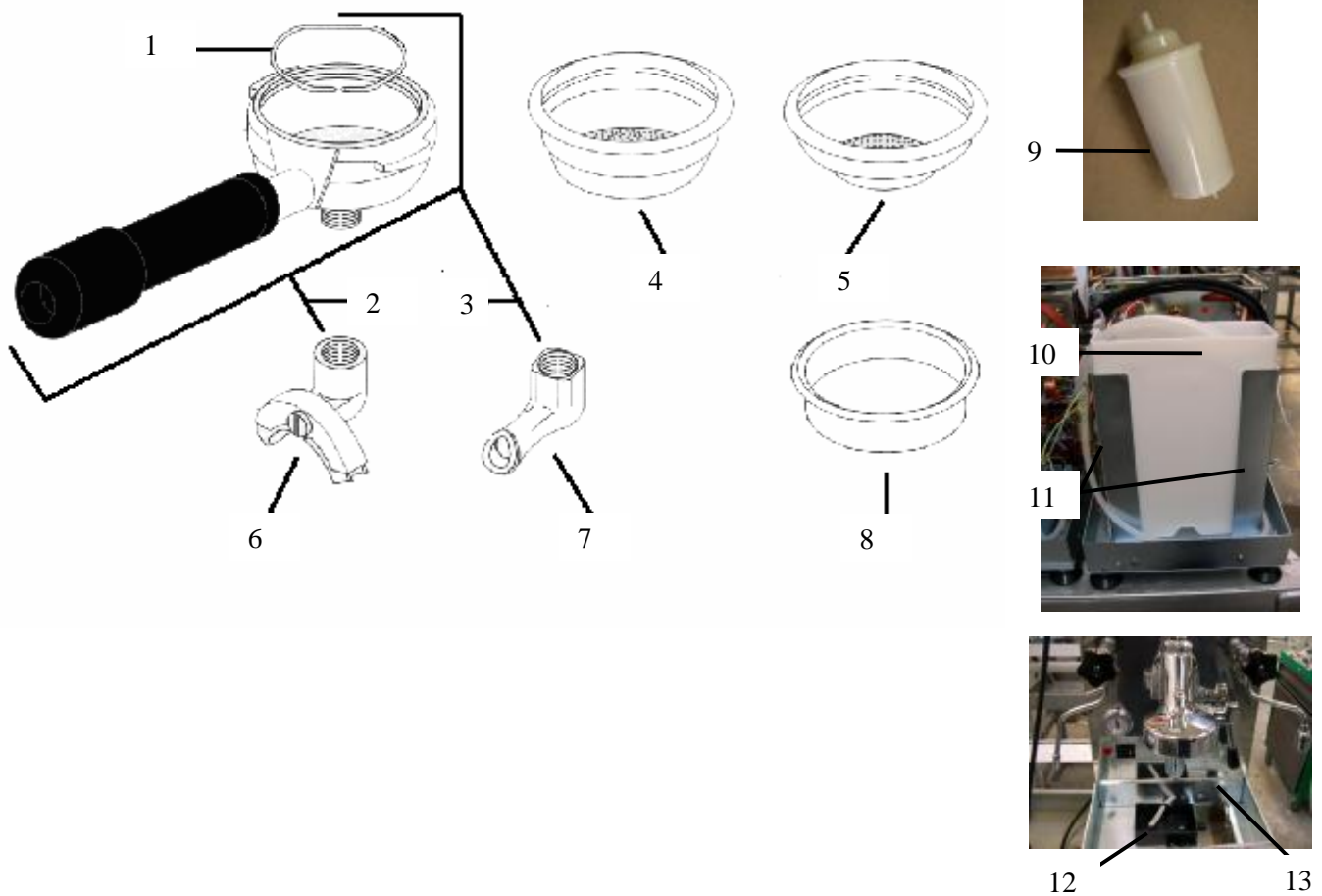
Macchine per Caffè Espresso



## PARTI ELETTRICHE ED ELETTRONICHE / ELECTRICAL & ELECTRONIC PARTS

| Pos. | Cod.        | Descrizione / Description   | PRICE |
|------|-------------|---|-------|
| 1    | C-0603      | Centralina – Tastiera / ECU-Touch-pad , A/1, 220V, 50/60Hz  |       |
| 1    | C-0603A     | Centralina – Tastiera / ECU-Touch-pad , A/1, 110V, 60Hz   |       |
| 2    | C-0015/24N  | Centralina / ECU, S/1 – L/1, 220V, 50/60Hz  |       |
| 2    | C-0015/115N | Centralina / ECU, S/1 - L/1, 110V, 60Hz   |       |
| 3    | C-0418      | Interruttore erogazione gruppo / Brewing group control switch   |       |
| 4    | C0465       | Micro interruttore / Micro switch (mod. L/1) - 83161.3 IW3 1611   |       |
| 5    | C-0253      | Copri spia rossa / Red warning lamp housing, A/1, 110-220V  |       |
| 5    | C-0254      | Copri spia verde / Green warning lamp housing   |       |
| 6    | C-0263      | Lampada spia rossa / Red warning lamp , for S/1, 110V-220V  |       |
| 6    | C-0264      | Lampada spia verde / Green warning lamp, for A/1, 110-220V  |       |
| 7    | C-0474      | Deviatore bipolare con LED / DPDT switch LED pilot light  |       |
| 8    | C-0479      | Deviatore bip. / DPDT switch, 16A, 3 pos. : 1-0-2   |       |
| 9    | C-0215      | Misuratore volumetrico di portata / Volumetric flow-rate meter  |       |
| 10   | T38         | Tubo iniettore scambiatore - misuratore volumetrico portata / Connection pipe: Flow-rate meter to heat-exchanger injector     |       |
| 11   | T39         | Tubo elettro-valvola di carico – misuratore volumetrico portata. / Connection pipe : Flow-rate meter to refill solenoid valve |       |
| 12   | C-0017/24   | Cablaggio completo / Wiring, complete set, L/1  |       |
| 12   | C-0017/24A  | Cablaggio completo / Wiring, complete set, A/1  |       |
| 12   | C-0017/24S  | Cablaggio completo / Wiring, complete set, S/1  |       |

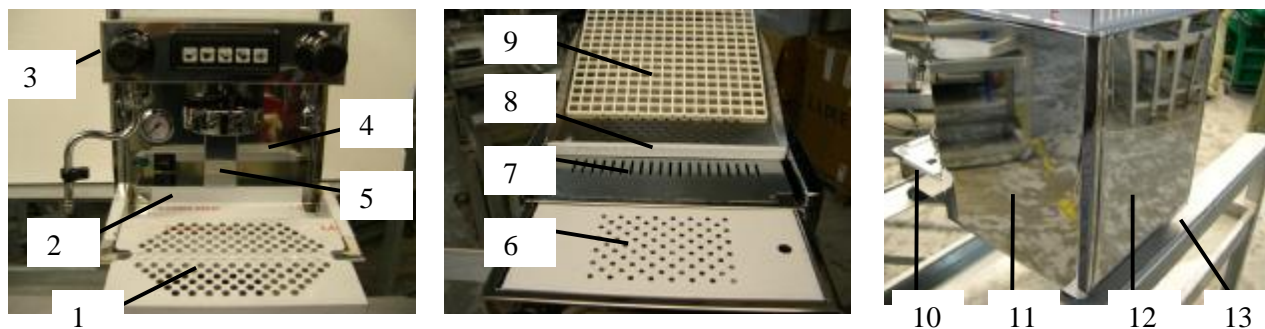
Macchine per Caffè Espresso



**ACCESSORI / ACCESSORIES**

| Pos. | Cod.     | Descrizione / Description   | PRICE |
|------|----------|---|-------|
| 1    | C-0502   | Molla ferma filtro / Filter basket holding spring                         |       |
| 2    | C-0532N  | Portafiltro con molla e becc. 2 t./ Portafilter c/w spring & 2-cup spout  |       |
| 3    | C-0531N  | Portafiltro con molla e becc. 1 t./ Portafilter c/w spring & 1-cup spout  |       |
| 4    | C-0500   | Filtro 2 tazze basso / 2-cups shallow filter basket for ground coffee     |       |
| 4    | C-0501   | Filtro 2 tazze alto / 2-cups deep filter basket for ground coffee         |       |
| 4    | C-11-323 | Filtro per cialde in carta, 2 tazze / Two-cups filter basket for pods     |       |
| 5    | C-0498   | Filtro 1 tazza basso / 1-cup shallow filter basket for ground coffee      |       |
| 5    | C-0499   | Filtro 1 tazza alto / 1-cup deep filter basket for ground coffee          |       |
| 5    | C-11-322 | Filtro per cialde in carta, 1 tazza / One-cup filter basket for pods      |       |
| 6    | C-0530   | Beccuccio per 2 tazze / Two-cups spout                                    |       |
| 7    | C-0529   | Beccuccio per 1 tazza / One-cup spout                                     |       |
| 8    | C-0495   | Filtro cieco / Closed filter basket for backflushing                      |       |
| 9    | C-0073   | Addolcitore a resine / Ion-exchange resin water softener                  |       |
| 10   | C-0493   | Serbatoio acqua vers. autonoma / Water tank for pour-over version         |       |
| 11   | C-0555   | Supp. serbat. in acc. zinc. / Galvanised-steel hold. frame for water tank |       |
| 12   | C-0011   | Vaschetta scarico bassa in plastica / Shallow plastic drain box           |       |
| 13   | C-0528   | Raccordo allacciamento rete idrica / Fitting for plumb-in versions        |       |

Macchine per Caffè Espresso



**TELAIO E LAMINATI / CHASSIS AND PANELS**

**Pos. Cod. Descrizione / Description PRICE**

| Pos. | Cod.     | Descrizione / Description   | PRICE |
|------|----------|---|-------|
| 1    | C-0562A  | Griglia app. tazze per vasca chiusa / Cup-rest grid for closed-type drip tray |       |
| 1    | C-0562B  | Griglia app. tazze per vasca forata / Cup-rest grid for drainable drip tray   |       |
| 2    | C-0557   | Bacinella Inox chiusa / Stainless-steel closed drip tray                      |       |
| 2    | C-0572   | Bacinella Inox con foro di scarico / St. steel drainable drip tray            |       |
| 3    | C-0569   | Fascia porta comandi Inox per S/1 / Upper stainless-steel fascia for S/1      |       |
| 3    | C-0570   | Fascia porta comandi Inox per A/1 / Upper st. steel fascia for A/1            |       |
| 4    | C-0568   | Frontale Inox per A/1 ed S/1 / Stainless-steel front panel for A/1 and S/1    |       |
| 4    | C-0660   | Frontale Inox per L/1 / Stainless-steel front panel for L/1                   |       |
| 5    | C-0566   | Copertura elettrovalvola Inox / Stainless steel cover for solenoid valve      |       |
| 6    | C-0571   | Chiusura superiore / Perforated st. steel group-head upper shield – A/1 & S/1 |       |
| 7    | C-0548   | Protezione superiore / Galvanised-steel upper protection shield               |       |
| 8    | C-0550   | Vasca superiore inox / Stainless-steel upper cup-tray                         |       |
| 9    | C-0537   | Griglia scaldatasse bianca / Upper cup-tray white plastic grid                |       |
| 10   | C-0551   | Fascia portabacinella Inox / Drip-tray holder st. steel covering fascia       |       |
| 11   | C-0544   | Pannello laterale grezzo / Raw-steel side body panel                          |       |
| 11   | C-0554OR | Pannello laterale placcato oro 18kt / 18kt Gold-plated side body panel        |       |
| 11   | C-0554CR | Pannello laterale cromato / Chromium-plated side body panel                   |       |
| 11   | C-0554I  | Pannello laterale Inox / Stainless-steel side body panel                      |       |
| 11   | C-0554AM | Pannello laterale colore Bordeaux / Bordeaux-red painted side body panel      |       |
| 11   | C-0554AL | Pannello laterale colore alluminio / Aluminium painted side body panel        |       |
| 11   | C-0554NE | Pannello laterale colore nero / Black painted side body panel                 |       |
| 12   | C-0522   | Pannello posteriore grezzo / Raw-steel rear body panel                        |       |
| 12   | C-0552OR | Pannello posteriore placcato oro 18kt / 18kt Gold-plated rear body panel      |       |
| 12   | C-0552CR | Pannello posteriore cromato / Chromium-plated rear body panel                 |       |
| 12   | C-0552I  | Pannello posteriore Inox / Stainless-steel rear body panel                    |       |
| 12   | C-0552AM | Pannello posteriore colore Bordeaux / Bordeaux-red painted rear body panel    |       |
| 12   | C-0552AL | Pannello posteriore colore Alluminio / Aluminium painted rear body panel      |       |
| 12   | C-0552NE | Pannello posteriore colore nero / Black painted rear body panel               |       |
| 13   | C-0402   | Piedino regolabile in altezza / Adjustable-height rubber foot                 |       |

