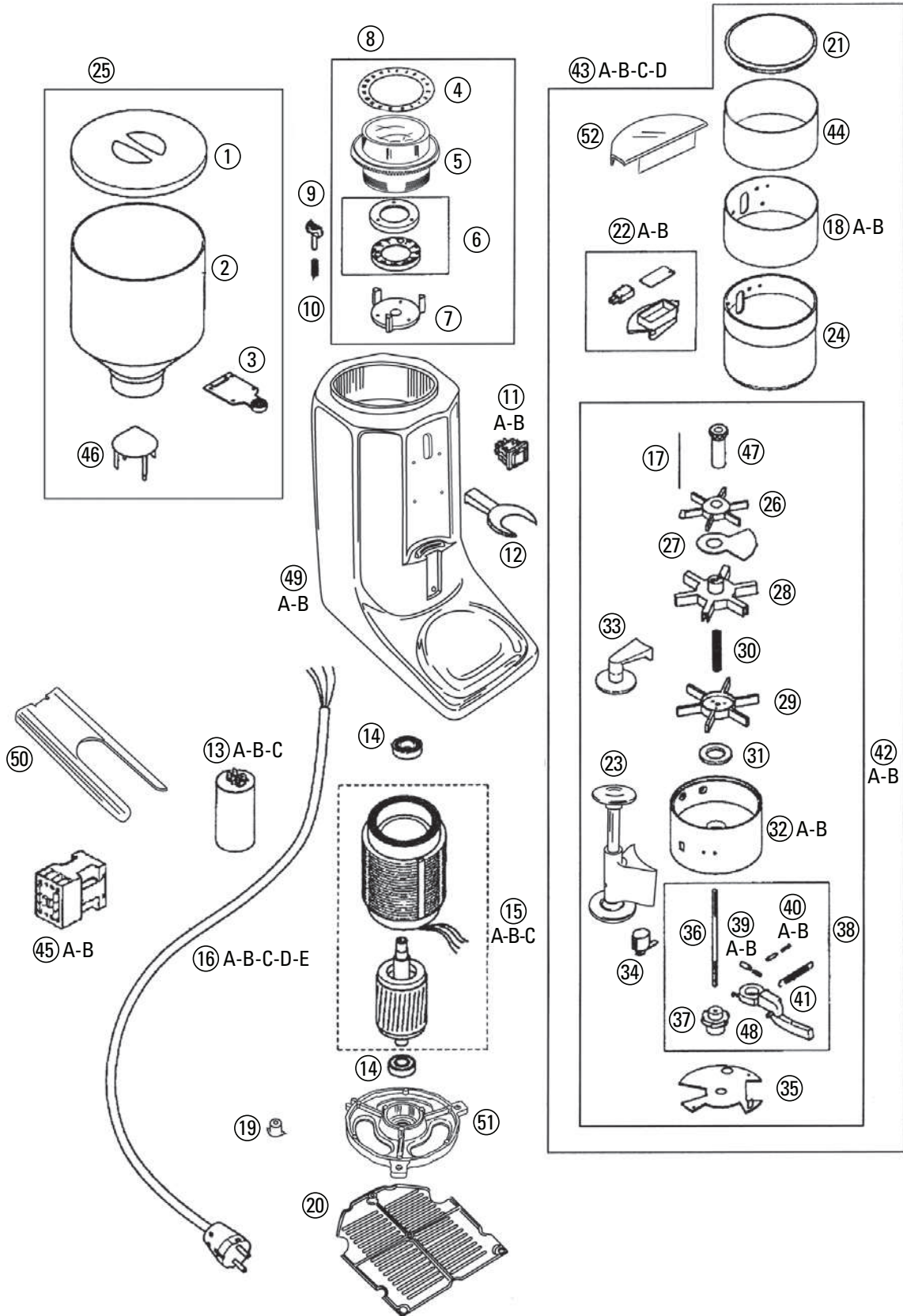


M80

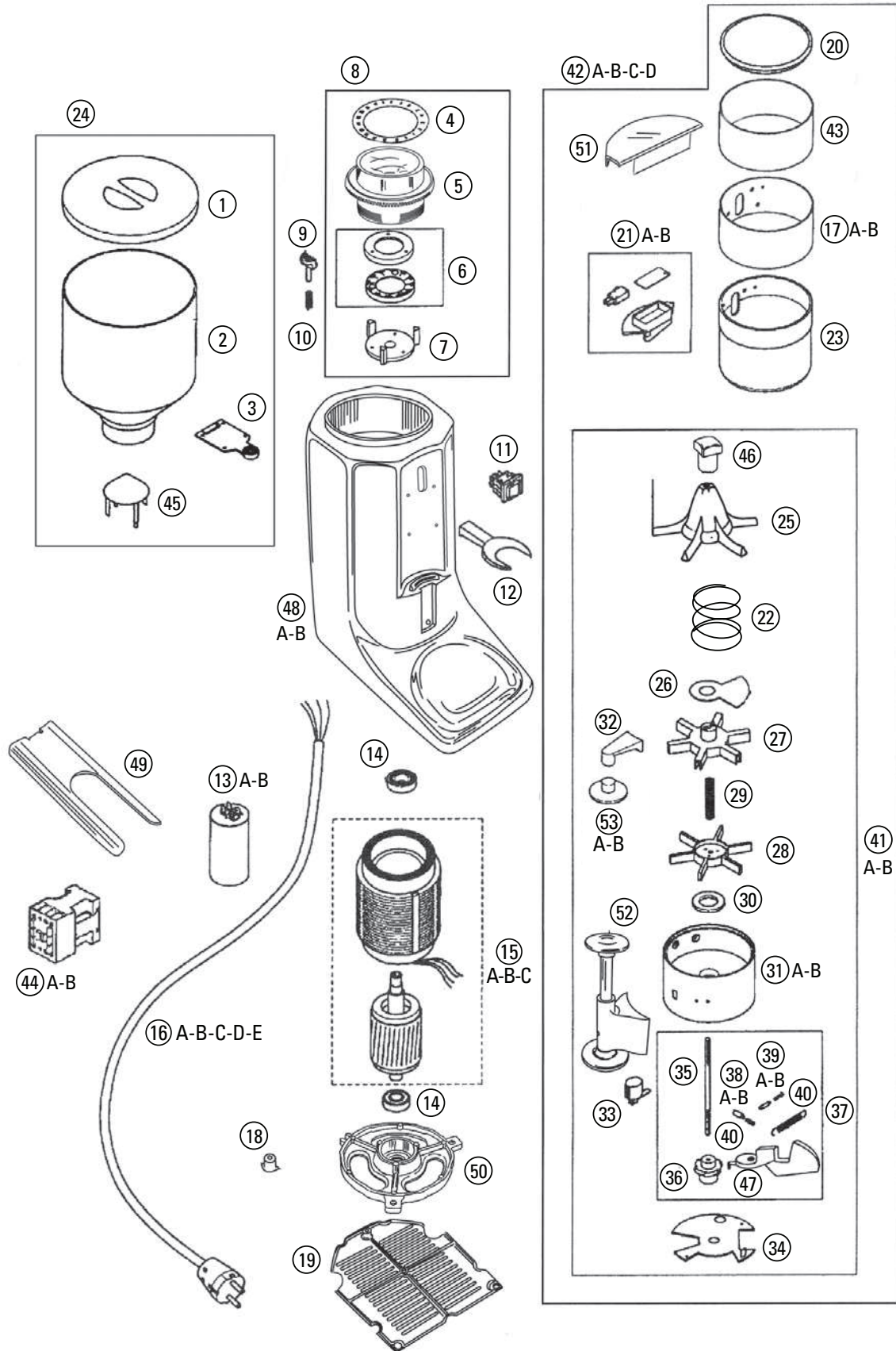


M80

| Drawing Ref | Code | Description | EURO |
|-------------|-----------|--|--------|
| 1 | 160149 | HOPPER LID | 3,50 |
| 2 | 160080 | HOPPER M80 | 11,50 |
| 3 | 160063 | HOPPER SHUTTER | 1,50 |
| 4 | 240023 | GRIND THICKNESS LABEL | 3,50 |
| 5 | 170195 | RING NUT | 31,00 |
| 6 | 260001 | BLADE SET 63 mm | 23,00 |
| 7 | 170090 | ROTATING BLADE HOLDER | 9,50 |
| 8 | RMT800021 | FULL SET ROTATING BLADE HOLDER | 63,00 |
| 9 | 160062 | RING NUT STOPPER | 2,50 |
| 10 | 230013 | STOPPER SPRING | 1,50 |
| 11A | 210015 | ON OFF SWITCH | 4,50 |
| 11B | 210018 | ON OFF SWITCH WITH CAP | 4,50 |
| 12 | 170044 | COFFEE FILTER SUPPORT | 7,50 |
| 13A | 150064 | CAPACITOR 230V 12.5 MF | 5,50 |
| 13B | 150069 | CAPACITOR 25 MF 110V | 6,50 |
| 13C | 150065 | CAPACITOR 25 MF 110V ETL | 11,50 |
| 14 | 260005 | BEARING 6202 | 5,50 |
| 15A | 270003 | M80 230V MOTOR | 113,50 |
| 15B | 270006 | MOTOR M80 380V | 115,50 |
| 15C | 270004 | MOTOR M80 110V | 122,00 |
| 16A | 150073 | STANDARD EU CABLE 230V +PLUG | 5,50 |
| 16B | 150074 | 3 PHASE CABLE 220V / 380V No plug | 5,50 |
| 16C | 150076 | 110V - 120V CABLE US Plug | 9,50 |
| 16D | 150077 | 230V CABLE UK PLUG | 10,50 |
| 16E | 150078 | 230V CABLE AUSTRALIAN PLUG | 8,50 |
| 17 | 130091 | MIXING ROD | 1,50 |
| 18A | 170174 | DOSER UPPER RING | 16,50 |
| 18B | 170176 | DOSER UPPER RING No hole | 16,50 |
| 19 | 160098 | RUBBER FOOTING | 1,50 |
| 20 | 160200 | BOTTOM COVER | 3,50 |
| 21 | 160064 | DOSER LID | 5,50 |
| 22A | RMT800002 | MICRO SWITCH SET | 7,50 |
| 22B | RMT800004 | MICRO SWITCH SET ETL | 12,50 |
| 23 | RMT800023 | TELE TAMPER SET | 14,50 |
| 24 | 160083 | SIGHT GLASS-OLD TYPE | 7,50 |
| 25 | RMT800015 | HOPPER FULL SET | 23,00 |
| 26 | 160072 | MIXER | 4,50 |
| 27 | 180495 | DOSER SAFTEY COVER | 4,50 |
| 28 | 160071 | UPPER STAR | 2,50 |
| 29 | 160070 | LOWER STAR | 2,50 |
| 30 | 230023 | DOSER SET SPRING | 2,50 |
| 31 | 160065 | PLASTIC SPACER | 2,50 |
| 32A | 170092 | DOSER SUPPORT | 21,00 |
| 32B | 170235 | LOWER SUPPORT TELE TAMPER WITH COUNTER | 18,00 |
| 33 | RMT800014 | FIXED TAMPER 56mm | 5,50 |
| 34 | 210033 | COUNTER | 12,50 |
| 35 | 160074 | DOSER COVER | 2,50 |
| 36 | 110030 | DOSER PIVOT | 3,50 |

| | | | |
|------------|-----------|--|---------------|
| 37 | 160068 | RIGHT HAND CAMM | 2,50 |
| 38 | RMUNI0007 | DOSER LEVER SET | 16,50 |
| 39A | 130059 | PROGRESS PIVOT | 1,50 |
| 39B | 230029 | PROGRESS PIVOT SPRING | 1,50 |
| 40A | 130060 | STOPPER PIVOT | 1,50 |
| 40B | 230028 | STOPPER PIVOT SPRING | 1,50 |
| 41 | 230027 | LEVER SPRING | 2,50 |
| 42A | RMT800010 | DOSER SUPPORT WITH COUNTER | 79,50 |
| 42B | RMT800017 | DOSER TELE TAMPER SUPPORT WITH COUNTER | 82,50 |
| 43A | RMT800003 | M80 FULL SET DOSER WITH COUNTER | 111,50 |
| 43B | RMT800019 | M80 FULL SET DOSER TELE TAMPER WITH COUNTER | 102,00 |
| 43C | RMT800025 | M80 FULL SET DOSER MANUAL MODEL WITH COUNTER | 92,00 |
| 43D | RMT800026 | M80 FULL SET TELE TAMPER MANUAL MODEL WITH COUNTER | 103,00 |
| 44 | 160008 | SIGHT GLASS-NEW TYPE | 5,50 |
| 45A | 210035 | CONTACTOR 380V | 34,00 |
| 45B | 210034 | CONTACTOR 220V 3 Phase | 34,00 |
| 46 | 160067 | HOPPER CONE | 2,50 |
| 47 | 160059 | MIXER NUT | 5,50 |
| 48 | 160075 | DOSER LEVER | 4,50 |
| 49A | 170266 | M80 BLACK GRAPHITE BODY | 106,50 |
| 49B | 170270 | M80 POLISHED BODY | 135,00 |
| 50 | 180486 | TELESCOPIC FORK M80 | 18,00 |
| 51 | 170282 | MOTOR BOTTOM COVER | 8,50 |
| 52 | 180473 | M80 SAFETY COVER | 5,50 |

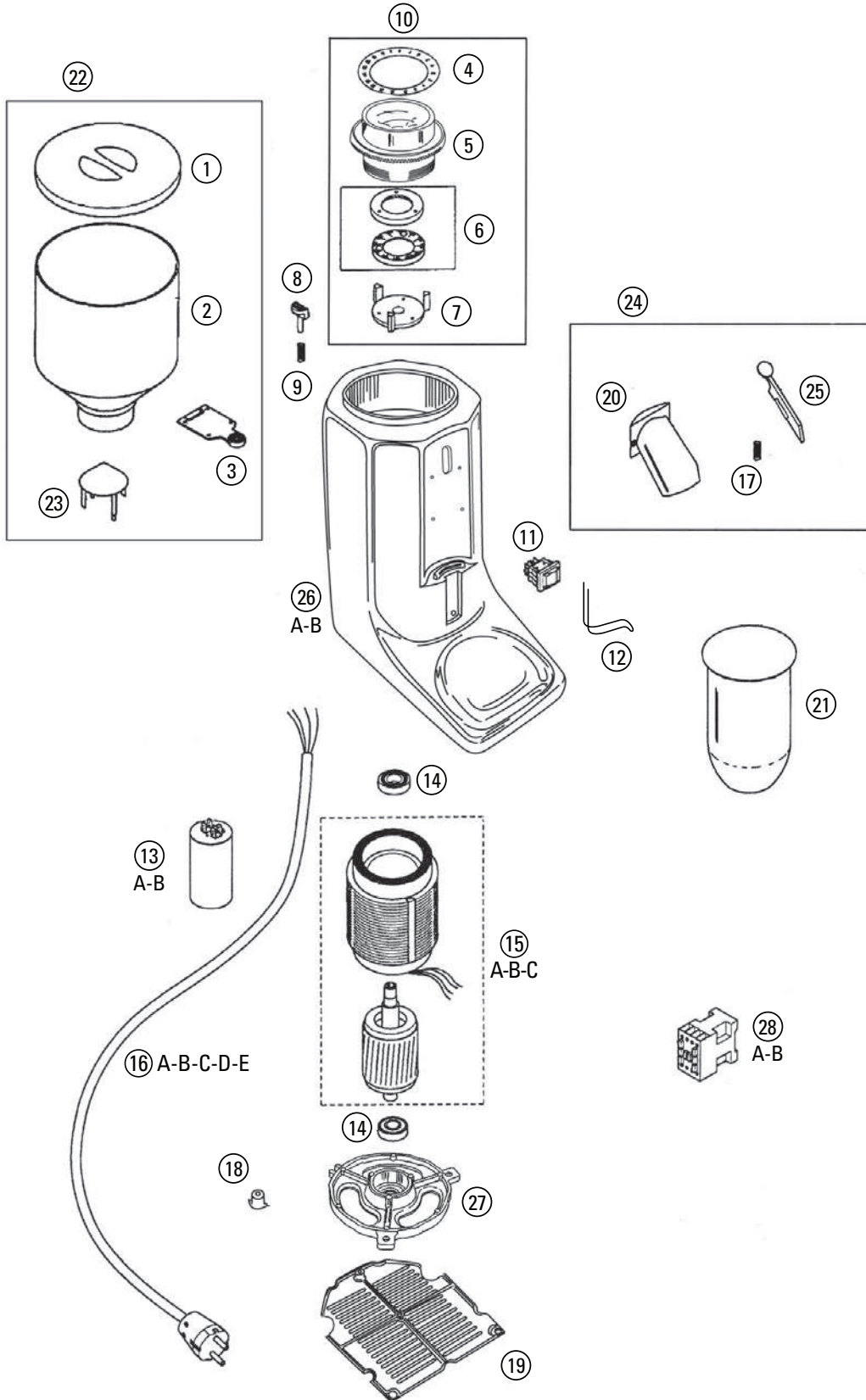
M80 TOP



M80 TOP

| Drawing Ref | Code | Description | EURO |
|-------------|-----------|---|--------|
| 1 | 160149 | HOPPER LID | 3,50 |
| 2 | 160080 | HOPPER M80 | 11,50 |
| 3 | 160063 | HOPPER SHUTTER | 1,50 |
| 4 | 240023 | GRIND THICKNESS LABEL | 3,50 |
| 5 | 170195 | RING NUT | 31,00 |
| 6 | 260001 | BLADE SET 63 MM | 23,00 |
| 7 | 170090 | ROTATING BLADE HOLDE3R | 9,50 |
| 8 | RMT800021 | FULL SET ROTATING BLADE HOLDER | 63,00 |
| 9 | 160062 | RING NUT STOPPER | 2,50 |
| 10 | 230013 | STOPPER SPRING | 1,50 |
| 11 | 210015 | ON OFF SWITCH | 4,50 |
| 12 | 170044 | COFFEE FILTER SUPPORT | 7,50 |
| 13A | 150064 | CAPACITOR 12,5 MF 220V | 5,50 |
| 13B | 150069 | CAPACITOR 25,0 MF 110V | 6,50 |
| 14 | 260005 | BEARING 6202 | 5,50 |
| 15A | 270003 | M80 230V MOTOR | 113,50 |
| 15B | 270006 | MOTOR M80 380V | 115,50 |
| 15C | 270004 | MOTOR M80 110V | 122,00 |
| 16A | 150073 | 230V CABLE EU PLUG | 5,50 |
| 16B | 150074 | 3 PHASE CABLE 220V / 380V NO PLUG | 5,50 |
| 16C | 150076 | 110 - 120 V CABLE US PLUG | 9,50 |
| 16D | 150077 | 230V CABLE UK PLUG | 10,50 |
| 16E | 150078 | 230V CABLE AUSTRALIAN PLUG | 8,50 |
| 17A | 170174 | DOSER UPPER RING | 16,50 |
| 17B | 170176 | DOSER UPPER RING NO HOLE | 16,50 |
| 18 | 160098 | RUBBER FOOTING | 1,50 |
| 19 | 160200 | BOTTOM COVER | 3,50 |
| 20 | 160064 | DOSER LID | 5,50 |
| 21A | RMT800002 | MICRO SWITCH SET | 7,50 |
| 21B | RMT800004 | MICRO SWITCH SET ETL | 12,50 |
| 22 | 230049 | UPPER STAR SPRING | 2,50 |
| 23 | 160083 | SIGHT GLASS-OLD TYPE | 7,50 |
| 24 | RMT800015 | HOPPER FULL SET | 23,00 |
| 25 | 170435 | MIXER | 12,50 |
| 26 | 180495 | DOSER SAFETY COVER | 4,50 |
| 27 | 170440 | UPPER STAR | 9,50 |
| 28 | 170445 | LOWER STAR | 8,50 |
| 29 | 230047 | DOSER SET SPRING | 2,50 |
| 30 | 160250 | PLASTIC SPACER | 2,50 |
| 31A | 170240 | LOWER DOSER SUPPORT FOR M80 TOP | 22,00 |
| 31B | 170245 | LOWER DOSER SUPPORT TELE TAMPER | 18,00 |
| 32 | 180469 | TAMPER SUPPORT | 37,50 |
| 33 | 210033 | COUNTER | 12,50 |
| 34 | 180435 | BODY BASE M1 - M80 TOP | 7,50 |
| 35 | 110030 | DOSER PIVOT | 3,50 |
| 36 | 170451 | RIGHT HAND CAMM | 6,50 |
| 37 | RMUNI0007 | DOSER LEVER SET | 16,50 |
| 38A | 130059 | PROGRESS PIVOT | 1,50 |
| 38B | 230029 | PROGRESS PIVOT SPRING | 1,50 |
| 39A | 130060 | STOPPER PIVOT | 1,50 |
| 39B | 230028 | STOPPER PIVOT SPRING | 1,50 |
| 40 | 230027 | LEVER SPRING | 2,50 |
| 41A | RMM800002 | DOSER SUPPORT WITH COUNTER | 160,00 |
| 41B | RMM800027 | DOSER TELE TAMPER SUPPORT WITH COUNTER | 130,00 |
| 42A | RMM800003 | FULL SET DOSER WITH COUNTER | 195,00 |
| 42B | RMM800029 | FULL SET DOSER WITH COUNTER + TELE TAMPER | 152,50 |
| 42C | RMM800030 | FULL SET DOSER WITH COUNTER MAN MODEL | 186,50 |
| 42D | RMM800031 | FULL SET DOSER WITH COUNTER + TELE TAMPER MAN MODEL | 152,50 |
| 43 | 160008 | SIGHT GLASS-NEW TYPE | 5,50 |
| 44A | 210035 | CONTACTOR 380V | 34,00 |
| 44B | 210034 | CONTACTOR 230V | 34,00 |
| 45 | 160067 | HOPPER CONE | 2,50 |
| 46 | 170430 | MIXER NUT | 6,50 |
| 47 | 170460 | DOSER LEVER | 12,50 |
| 48A | 170266 | M80 BODY BLACK GRAPHITE | 106,50 |
| 48B | 170270 | M80 BODY POLISHED | 135,00 |
| 49 | 180486 | COFFEE HOLDER SUPPORT + TELE TAMPER MOD | 18,00 |
| 50 | 170282 | MOTOR BOTTOM COVER | 8,50 |
| 51 | 180473 | SAFETY COVER | 8,50 |
| 52 | RMT800023 | FULL SET TELE TAMPER | 14,50 |
| 53A | 160068 | TAMPER Ø53 | 4,50 |
| 53B | 160061 | TAMPER Ø57 | 4,50 |

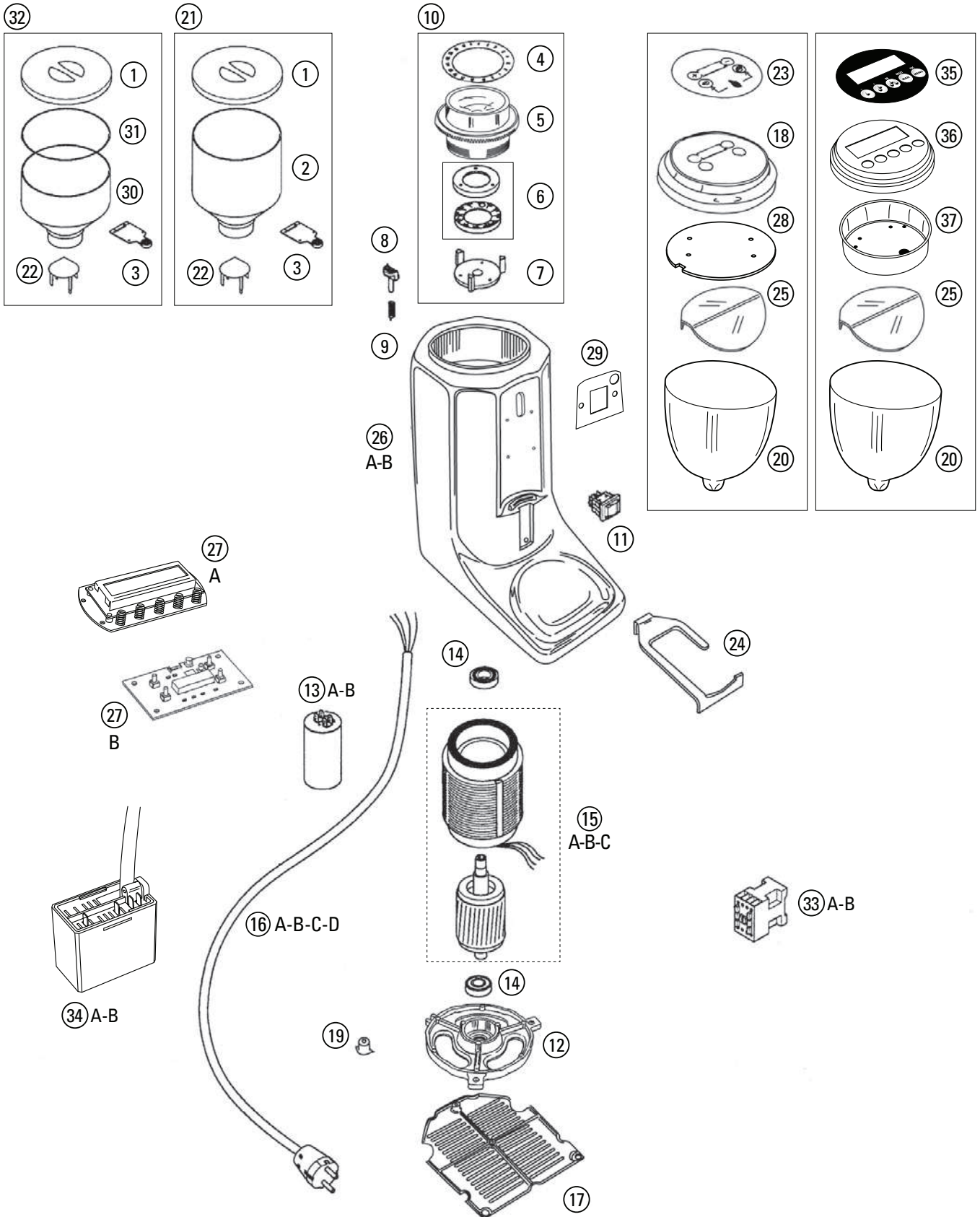
M80/D



M80/D

| Drawing Ref | Code | Description | EURO |
|-------------|-----------|-----------------------------------|--------|
| 1 | 160149 | HOPPER LID | 3,50 |
| 2 | 160080 | HOPPER M80 | 11,50 |
| 3 | 160063 | HOPPER SHUTTER | 1,50 |
| 4 | 240023 | GRIND THICKNESS LABEL | 3,50 |
| 5 | 170195 | RING NUT | 31,00 |
| 6 | 260001 | BLADE SET 63 mm | 23,00 |
| 7 | 170090 | ROTATING BLADER HOLDER | 9,50 |
| 8 | 160062 | RING NUT STOPPER | 2,50 |
| 9 | 230013 | STOPPER SPRING | 1,50 |
| 10 | RMT800021 | FULL SET ROTATING BLADE HOLDER | 63,00 |
| 11 | 210015 | ON OFF SWITCH | 4,50 |
| 12 | 230040 | CUP HOLDER SPRING | 5,50 |
| 13A | 150064 | CAPACITOR 12.5 MF 230V | 5,50 |
| 13B | 150069 | CAPACITOR 25 MF 110V | 6,50 |
| 14 | 260005 | BEARING 6202 | 5,50 |
| 15A | 270004 | M80 110V MOTOR | 122,00 |
| 15B | 270003 | M80 230V MOTOR | 113,50 |
| 15C | 270006 | M80 380V MOTOR | 115,50 |
| 16A | 150073 | STANDARD CABLE 220V + PLUG | 5,50 |
| 16B | 150074 | 3 PHASE CABLE 220V / 380V No Plug | 5,50 |
| 16C | 150076 | 110V / 120V CABLE US Plug | 9,50 |
| 16D | 150077 | 230V CABLE UK PLUG | 10,50 |
| 16E | 150078 | 230V CABLE AUSTRALIAN PLUG | 8,50 |
| 17 | 230043 | COFFEE SPOUT SPRING | 2,50 |
| 18 | 160098 | RUBBER FOOTING | 1,50 |
| 19 | 160200 | BOTTOM COVER | 3,50 |
| 20 | 180430 | COFFEE SPOUT | 55,00 |
| 21 | 180044 | CUP | 53,00 |
| 22 | RMT800015 | FULL SET HOPPER | 23,00 |
| 23 | 160067 | HOPPER CONE | 2,50 |
| 24 | RMT80D010 | FULL SET COFFEE SPOUT | 79,50 |
| 25 | 170097 | SPOUT LEVER | 19,00 |
| 26A | 170266 | M80 BODY BLACK GRAPHITE | 106,50 |
| 26B | 170270 | M80 POLISHED BODY | 135,00 |
| 27 | 170282 | BOTTOM MOTOR COVER | 8,50 |
| 28A | 210035 | CONTACTOR 380V | 34,00 |
| 28B | 210034 | CONTACTOR 220V 3 PHASE | 34,00 |

M80/E



M80/E

| Drawing Ref | Code | Description | EURO |
|-------------|-----------|----------------------------------|--------|
| 1 | 160149 | HOPPER LID | 3,50 |
| 2 | 160008 | HOPPER | 11,50 |
| 3 | 160063 | HOPPER SHUTTER | 1,50 |
| 4 | 240022 | GRIND THICKNESS LABEL | 3,50 |
| 5 | 170195 | RING NUT | 31,00 |
| 6 | 260001 | BLADE SET 63MM | 23,00 |
| 7 | 170090 | ROTATING BLADE HOLDER | 9,50 |
| 8 | 160062 | RING NUT STOPPER | 2,50 |
| 9 | 230013 | STOPPER SPRING | 1,50 |
| 10 | RMT800005 | FULL SET ROTATING BLADE HOLDER | 63,00 |
| 11 | 210015 | ON OFF SWITCH | 4,50 |
| 12 | 170282 | MOTOR BOTTOM COVER | 8,50 |
| 13A | 150064 | CAPACITOR 12.5 MF 230V | 5,50 |
| 13B | 150069 | CAPACITOR 25 MF 110V | 6,50 |
| 14 | 260005 | BEARING 6202 | 5,50 |
| 15A | 270003 | M80 230V MOTOR | 113,50 |
| 15B | 270004 | M80 110V MOTOR | 122,00 |
| 15C | 270006 | M80 380V MOTOR | 115,50 |
| 16A | 150073 | STANDARD EU CABLE 230V +PLUG | 5,50 |
| 16B | 150076 | 110V / 120V CABLE US PLUG | 9,50 |
| 16C | 150077 | 230V CABLE UK PLUG | 10,50 |
| 16D | 150078 | 230V CABLE AUSTRALIAN PLUG | 8,50 |
| 17 | 160200 | BOTTOM COVER | 3,50 |
| 18 | 180464 | SS CONE LID | 36,50 |
| 19 | 160098 | RUBBER FOOTING | 1,50 |
| 20 | 180453 | SS CONE | 85,50 |
| 21 | RMT800015 | HOPPER FULL SET | 23,00 |
| 22 | 160067 | HOPPER CONE | 2,50 |
| 23 | 240020 | DISPLAY LABEL | 11,50 |
| 24 | 180481 | COFFEE FILTER HOLDER | 14,50 |
| 25 | 180490 | SS SAFETY COVER | 12,50 |
| 26A | 170266 | M80 BLACK GRAPHITE BODY | 106,50 |
| 26B | 170270 | M80 POLISHED BODY | 135,00 |
| 27A | 130141 | DISPLAY NEW VERSION | 103,00 |
| 27B | 130142 | DISPLAY OLD VERSION | 66,00 |
| 28 | 160205 | SS CONE COVER SEAL | 5,50 |
| 29 | 120030 | GASKET | 5,50 |
| 30 | 160084 | MINI HOPPER | 20,00 |
| 31 | 160029 | SEAL FOR MINI HOPPER | 1,50 |
| 32 | RMM800004 | FULL SET MINI HOPPER | 24,00 |
| 33A | 210035 | CONTACTOR 230V | 34,00 |
| 33B | 210034 | CONTACTOR 220V 3 PHASE | 34,00 |
| 34A | 130140 | ELECTRIC CARD 230V | 93,00 |
| 34B | 130145 | ELECTRIC CARD 110V | 93,00 |
| 35 | 240024 | DISPLAY LABEL | 9,50 |
| 36 | 180449 | SS CONE LID NEW M80-M1/EL | 38,50 |
| 37 | 180438 | SS CONE COVER SEAL NEW M80-M1/EL | 16,50 |